

WOMEN BEWARE WOMEN
COLLAPSIBLE DOOR STOPS

DESCRIPTION: FRAMES ARE 2X4. THEY COLLAPSE WITH THE DOORS.

FILE NAME: 217.DWG

DWG: DIRECTOR: LEO RA MORRIS
DESIGNER: CLAIRE DELISO
TD: ELISE MASUR
DWG DATE: 12/4/15

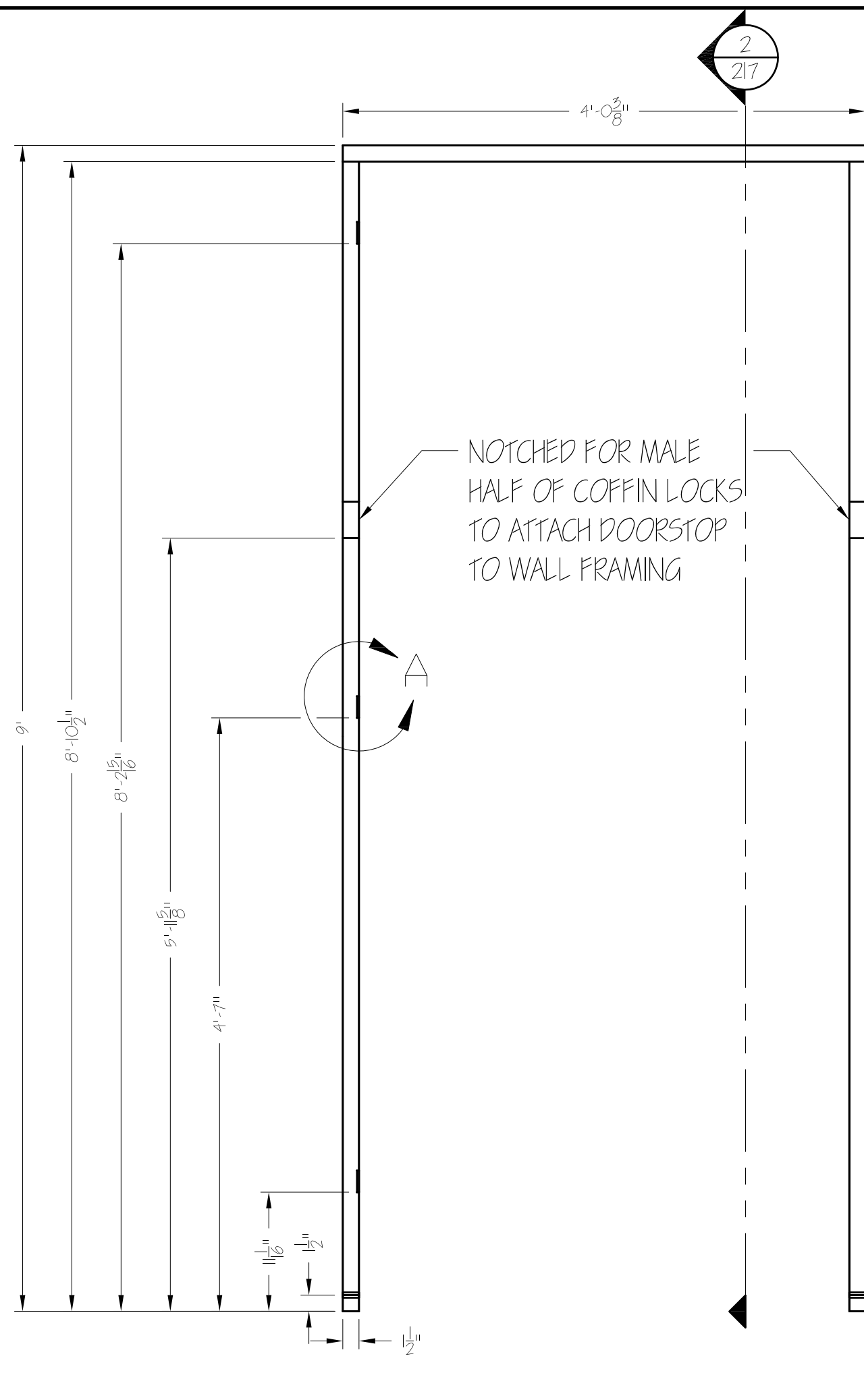
INV CODE
S305

DESIGNER REF SHEET #

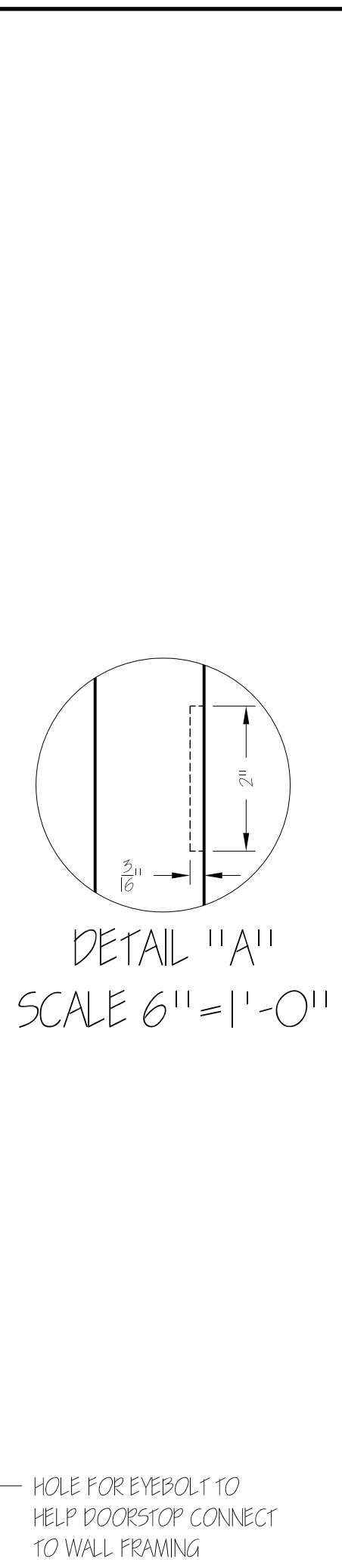
217

DWG BY
EVM

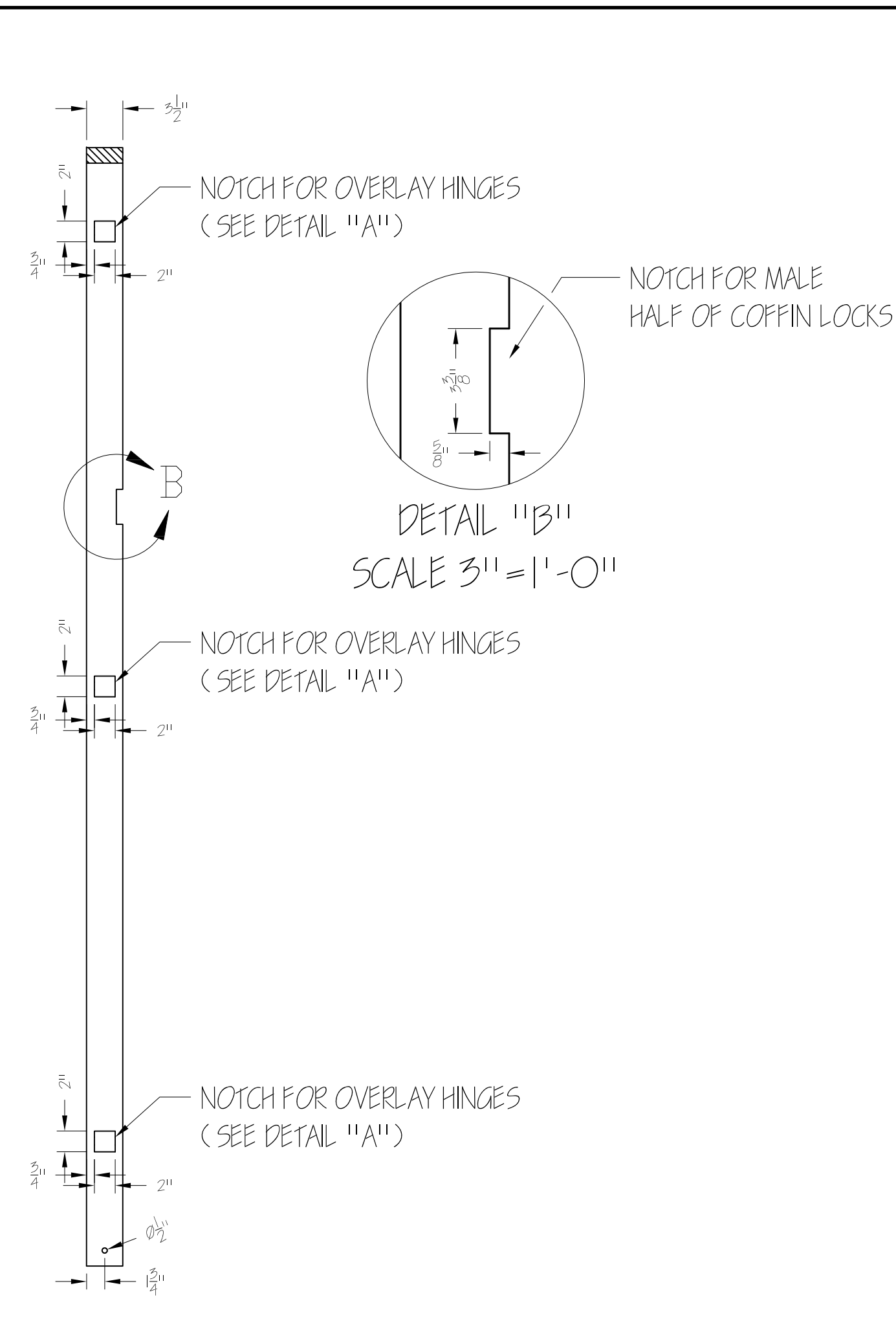
SCALE
AS SHOWN



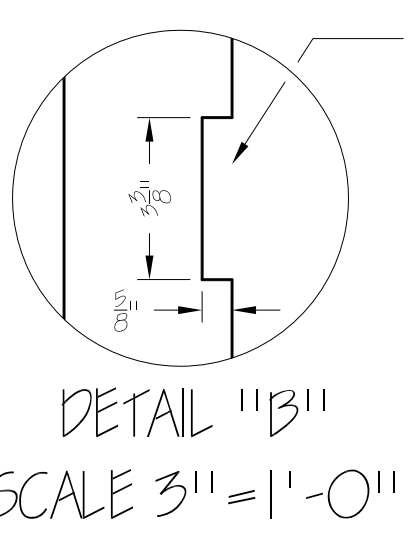
1
217
STAGE RIGHT COLLAPSIBLE DOOR STOP 1" = 1'-0"



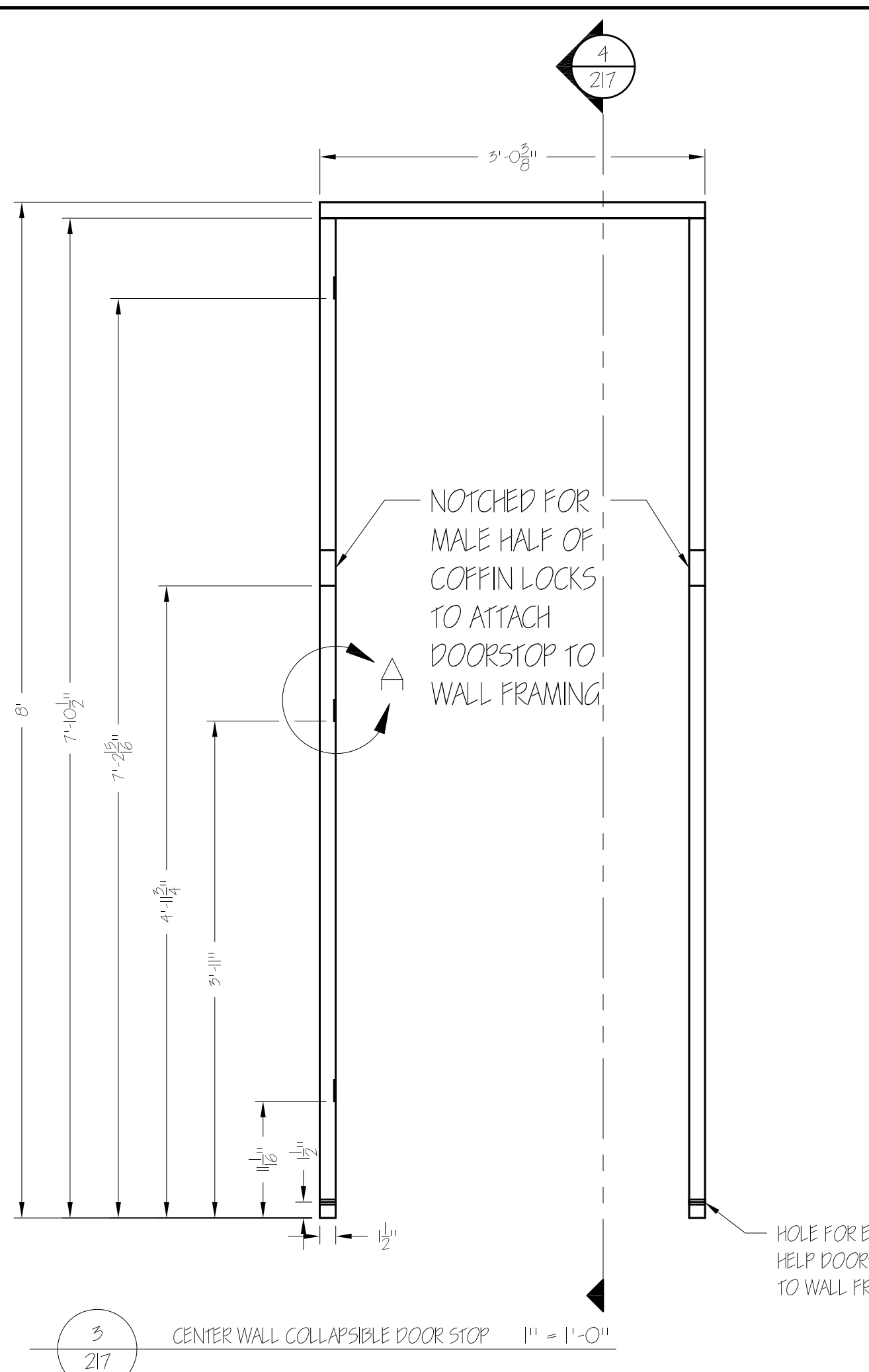
DETAIL "A"
SCALE 6" = 1'-0"



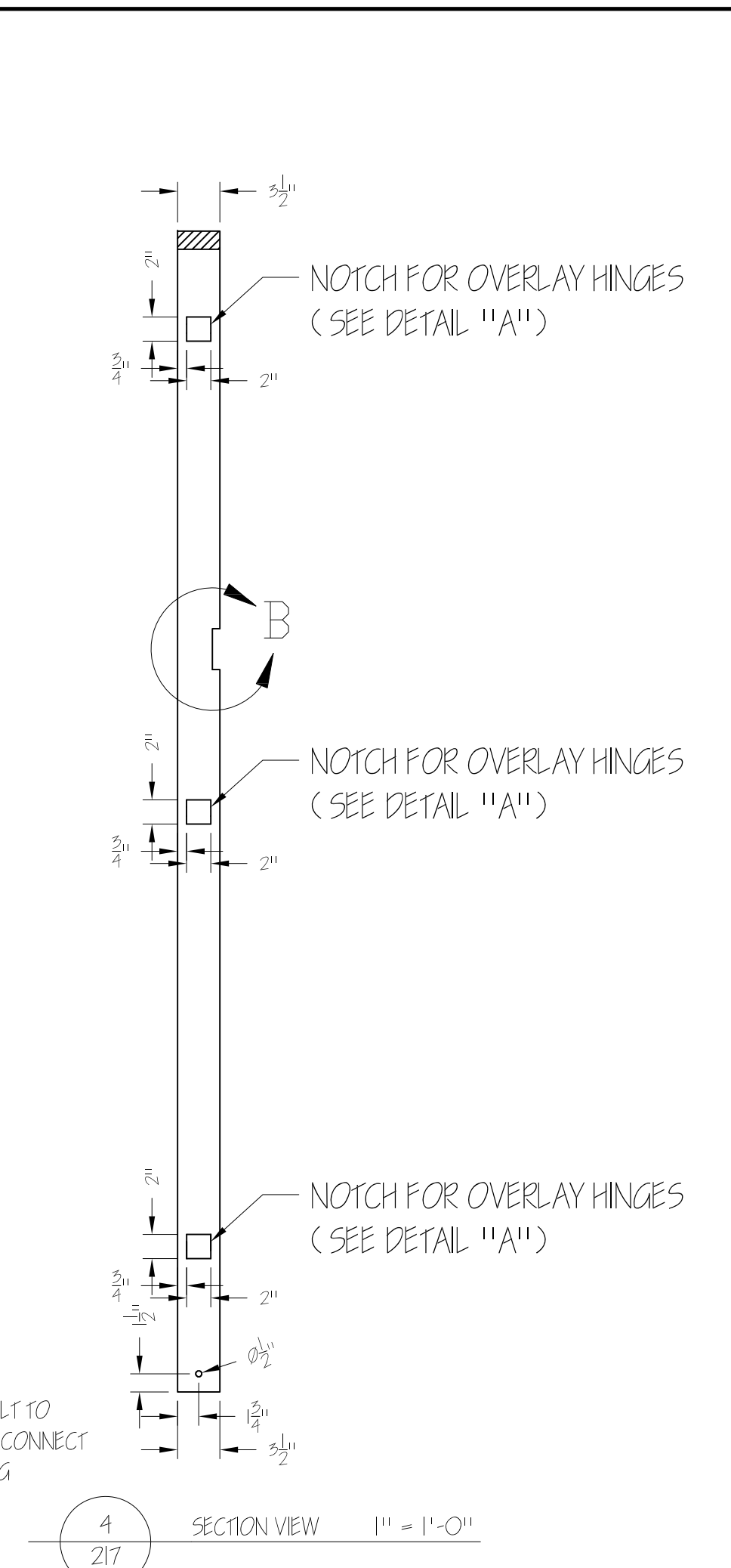
2
217
SECTION VIEW 1" = 1'-0"



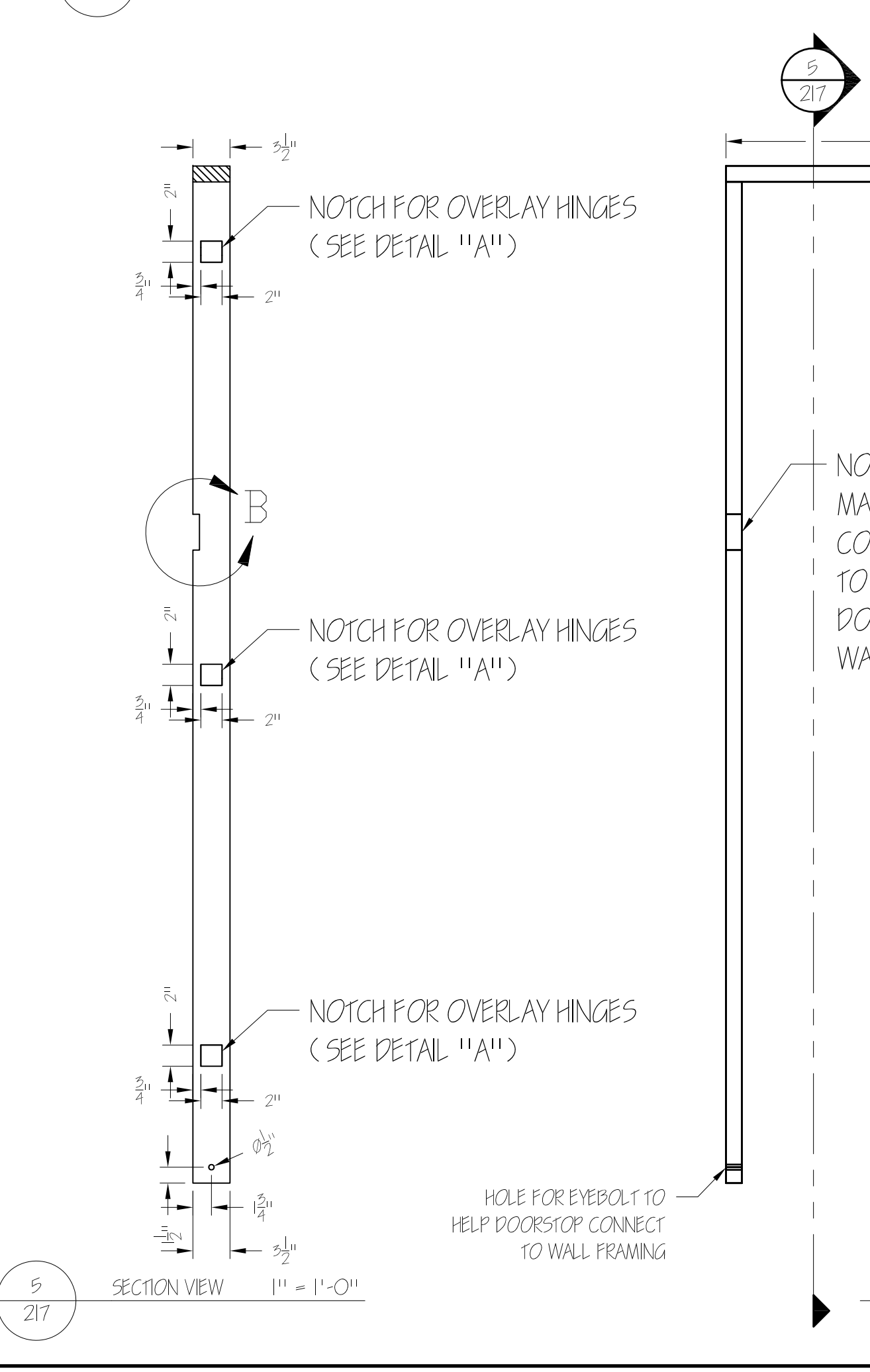
DETAIL "B"
SCALE 3" = 1'-0"



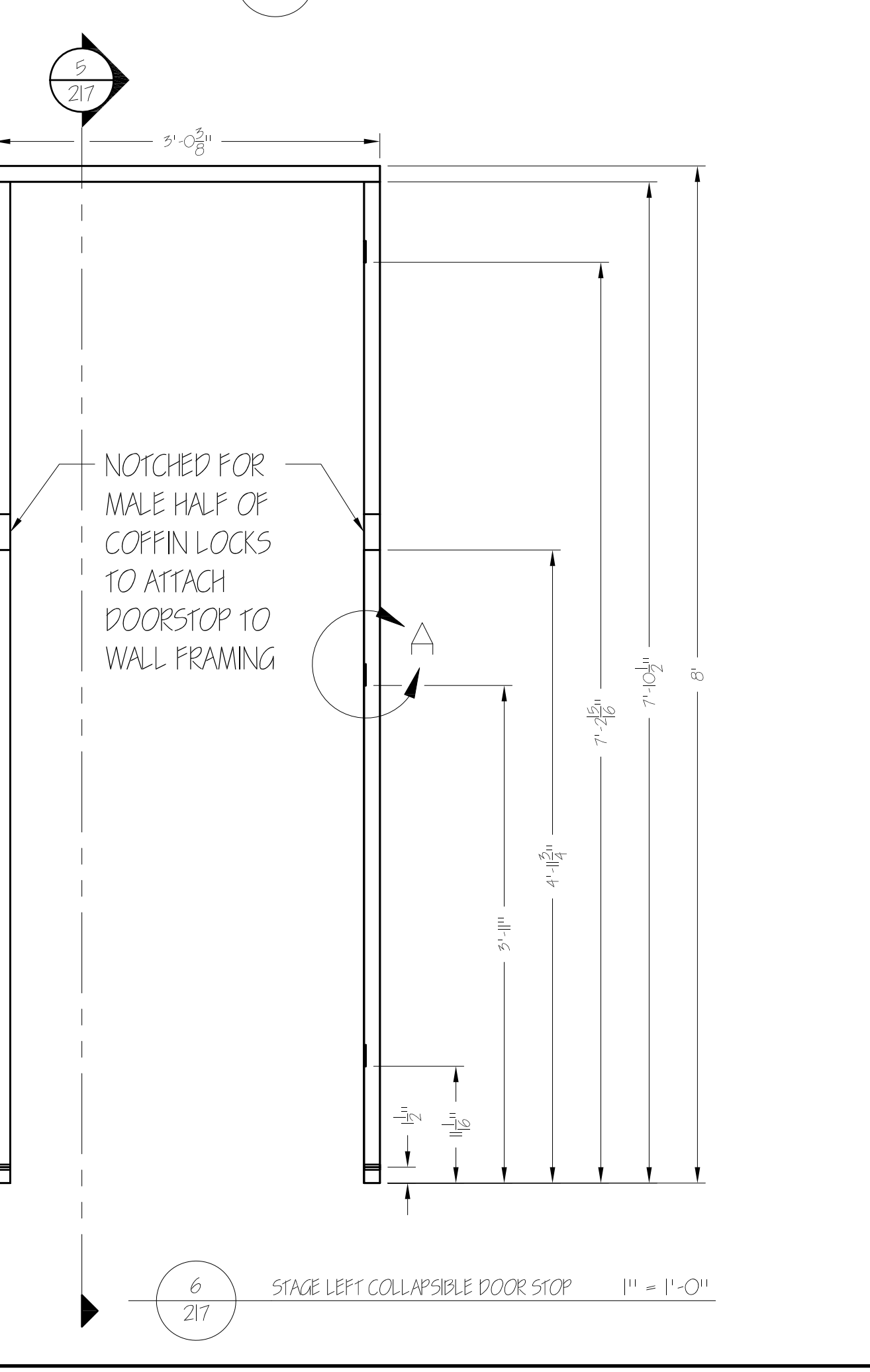
3
217
CENTER WALL COLLAPSIBLE DOOR STOP 1" = 1'-0"



4
217
SECTION VIEW 1" = 1'-0"



5
217
SECTION VIEW 1" = 1'-0"



6
217
STAGE LEFT COLLAPSIBLE DOOR STOP 1" = 1'-0"

NOTES:

- ALL DRAWINGS ARE REAR ELEVATIONS!
- FRAMES ARE 2X4
- ASSEMBLE WITH GLUE AND FRAMING NAILS
- CUT TEMPORARY BRACING FROM SCRAP AND SCREW TO BOTTOM OF OPENING FOR EASE OF TRANSPORTATION
- DOOR STOPS ATTACH TO DOOR WITH OVERLAY HINGES AND ATTACH TO WALL FRAMING WITH COFFIN LOCKS AND EYEBOLTS.
- SEAL OUTSIDE EDGES WITH THEBOND II.
- SEE ELISE WITH ANY QUESTIONS.